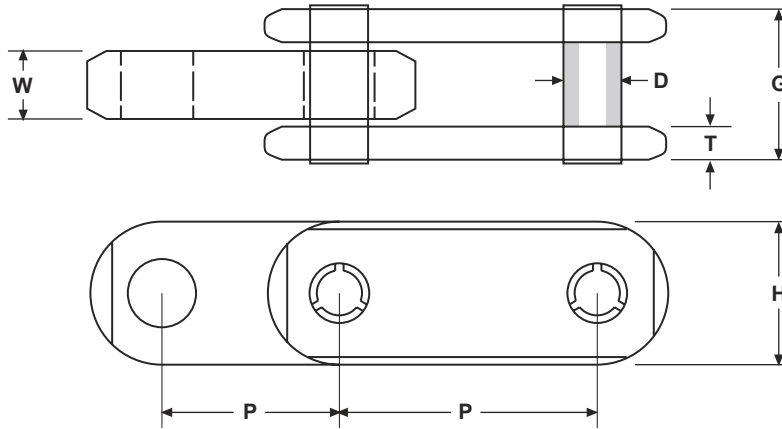


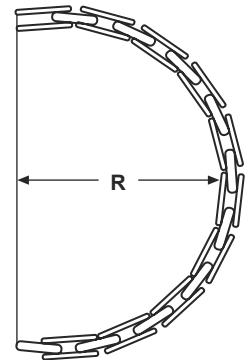
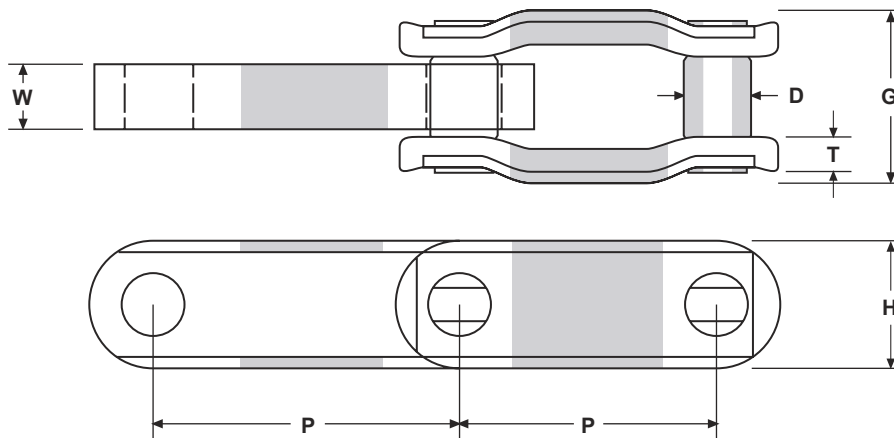
# PEER Case Conveyor Chain

IMMEDIATELY AVAILABLE

## 3498 Chain



## 3500 Chain



Note: Heat treated areas are shaded.

## Specifications

Peer Chain No.	Pitch		Chain Width		Pin Diameter D	Plate			Min. Flex Radius R	Min. Tensile Strength Lbs.	Weight Per Foot Lbs.
	Inner Link P	Outer Link P	Overall G	Inside Link W		Thickness T	Height H				
3498	1.750	2.500	1.411	0.638	0.625	0.311	1.402	18.00	50,000	4.56	
3500	2.500	3.000	1.500	0.630	0.571	0.252	1.252	20.00	48,000	3.11	