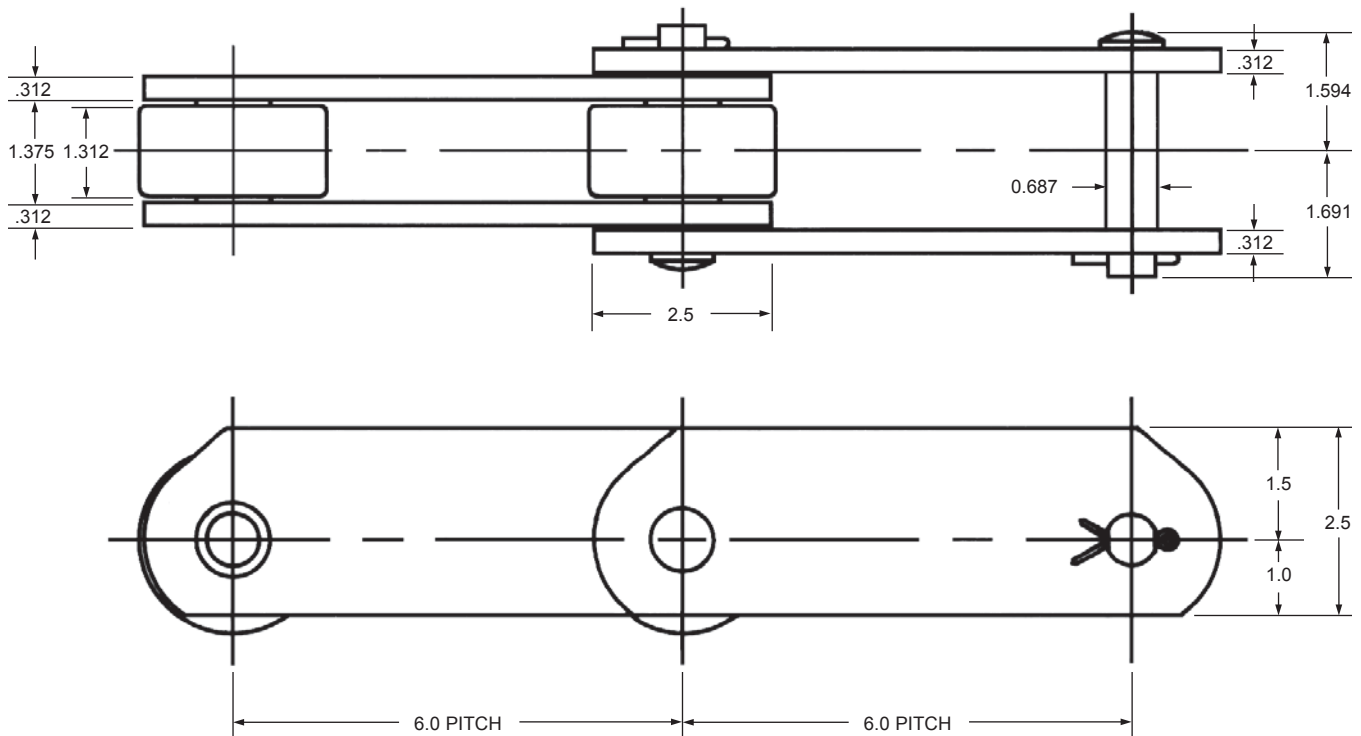


PEER CC5 Industrial Chain

IMMEDIATELY AVAILABLE



CC5 Specifications

Average Tensile Strength	50,000 lbs.
Maximum Allowable Working Load	4,800 lbs.
Weight Per Foot	11.0 lbs.

Other CC5 Products Available:

- *CC5 with Hex Hole Attachment*
- *CC5 with Top Roller Attachment*