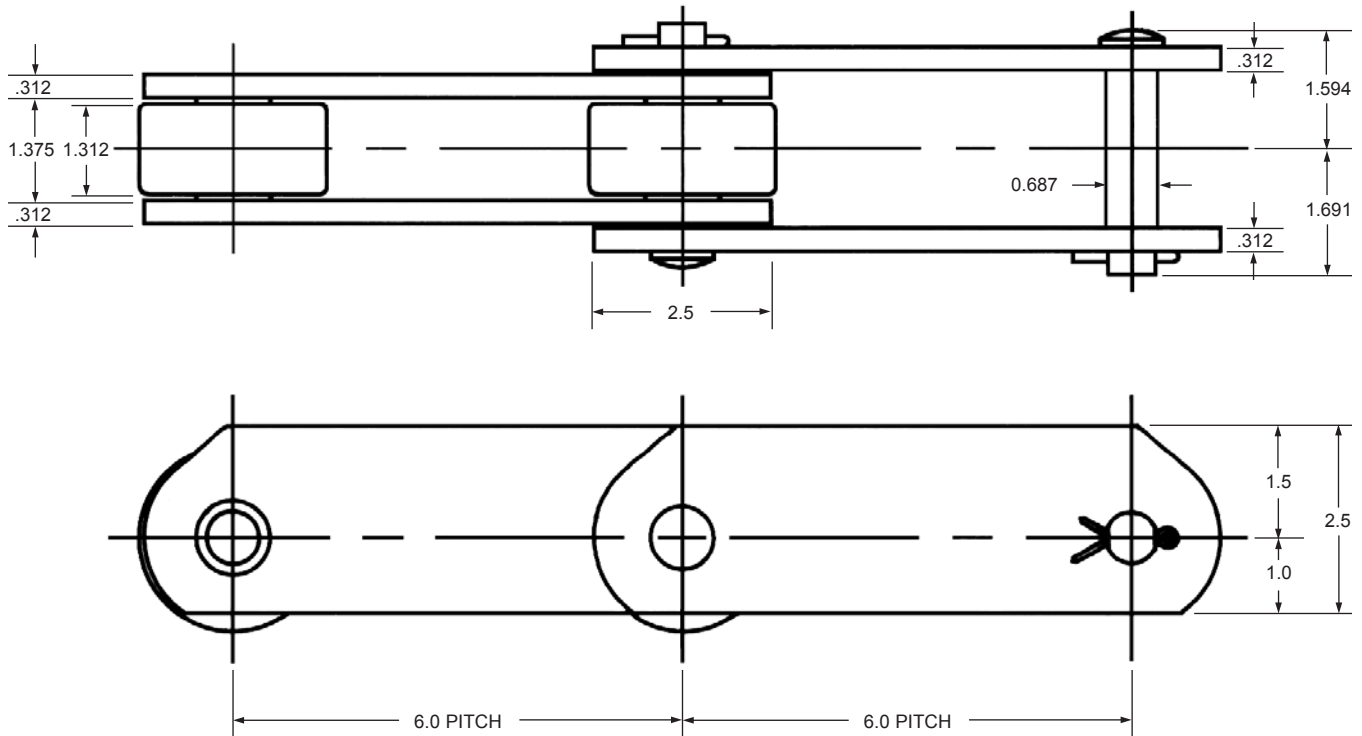


PEER CC5 Industrial Chain

IMMEDIATELY AVAILABLE



CC5 Specifications

| | |
|--------------------------------|--------------------|
| Average Tensile Strength | 50,000 lbs. |
| Maximum Allowable Working Load | 4,800 lbs. |
| Weight Per Foot | 11.0 lbs. |

Other CC5 Products Available:

- *CC5 with Hex Hole Attachment*
- *CC5 with Top Roller Attachment*

PEER
CHAIN COMPANY
2300 Norman Drive South
Waukegan, IL 60085



Toll Free: 1-800-523-4567 Phone: 847-775-4600
Fax: 847-775-4650 www.peerchain.com

Printed in USA Form #02-105