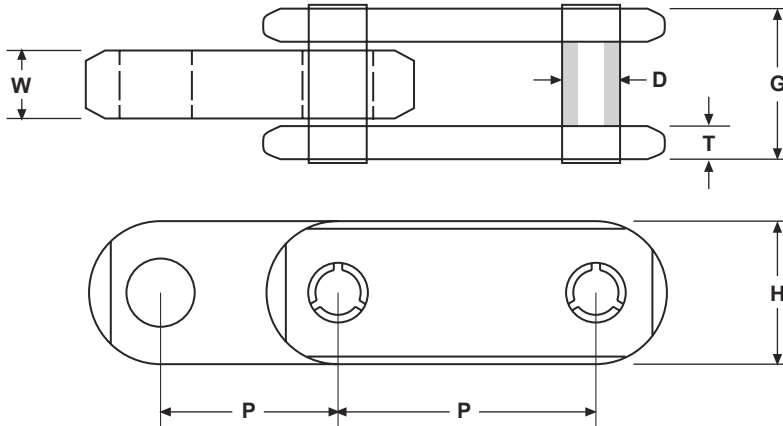


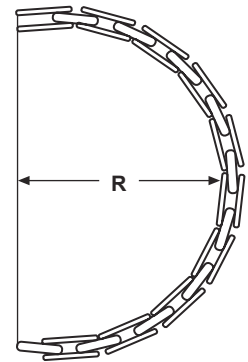
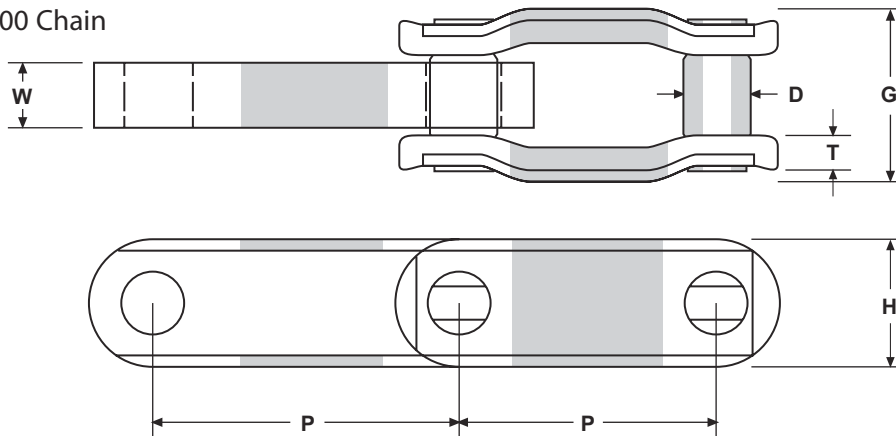
PEER Case Conveyor Chain

IMMEDIATELY AVAILABLE

3498 Chain



3500 Chain



Note: Heat treated areas are shaded

Specifications									Dimensions: Inch		
PEER Chain No.	Pitch		Chain Width		Pin Diameter D	Plate		Min. Flex Radius R	Avg. Tensile Strength Lbs.	Weight Per Foot Lbs.	
	Inner Link P	Outer Link P	Overall G	Inside Link W		Thickness T	Height H				
3498	1.750	2.500	1.480	.640	.625	.310	1.400	20.00	50,000	3.90	
3500	2.500	3.000	1.500	.624	.561	.250	1.250	20.00	48,000	3.29	